



KalkanMed



Factory Address: Çilek, TIRMIL SANAYİ SİT, 63127. Sk. NO:6/A, 33020 Akdeniz/Mersin



Head Office Address:Kültür Mah./ 4304 Cad., Bina No: 5 , Dış Kapı No:5 / İç Kapı No:7 AKDENİZ MERSİN



+90 324 231 84 96 | +90 542 272 13 40



info@kalkanmed.com



Softa 1

"4 Motors"

EN 60601-1 & EN 60601-1-2
Standards



GENERAL PURPOSE MEDICAL CHAIR
Phlebotomy, ENT, Hemodialysis and Chemotherapy



www.kalkanmed.com

Technical Specification

An adjustable pillow that provides patient comfort.

The armrests provide vertical movement at an angle of 0° to 90° (Horizontal movement is also available upon request).



To ensure patient comfort, the armrests always remain parallel to the seat surface during all backrest and trendelenburg movements.



Adjustable footrest.



It provides backrest, legrest, and trendelenburg movements with electric motors and a hand control.

Backrest Angle: 0-80°

Legrest Angle: 0-10° (Upward) - 0-28° (Downward)

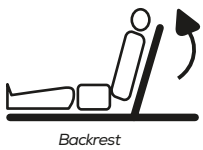
Trendelenburg Angle: 0-21°

High stability and durability thanks to 4 free lockable castors.

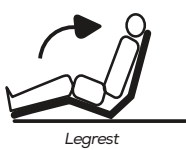


Height adjustment with a column motor.
Height: Min: 625 mm **Max:** 1010 mm.

Adjustable Positions



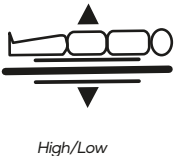
Backrest



Legrest



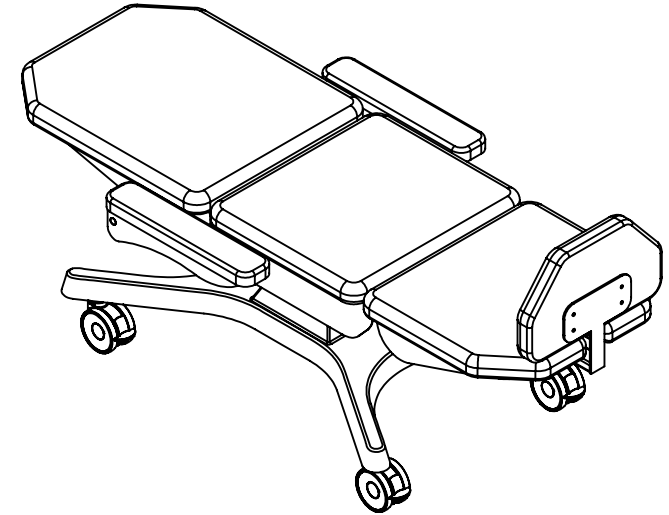
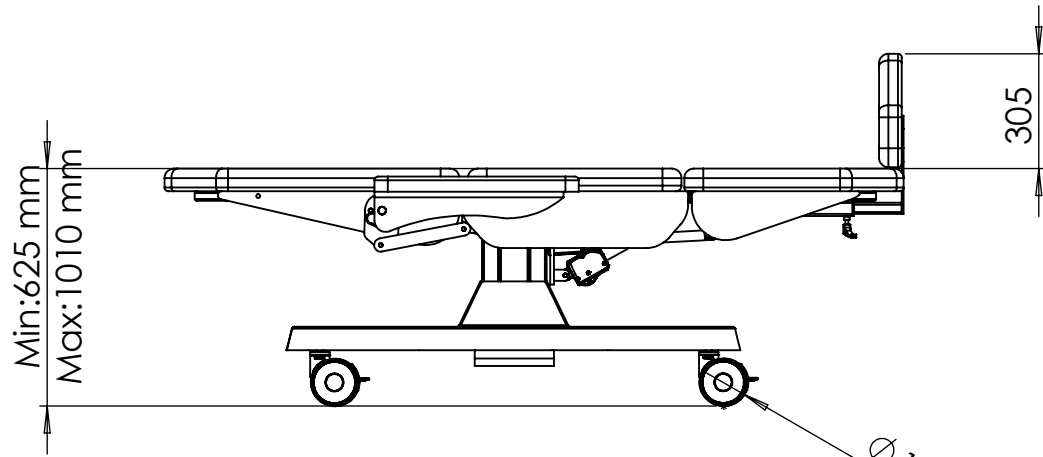
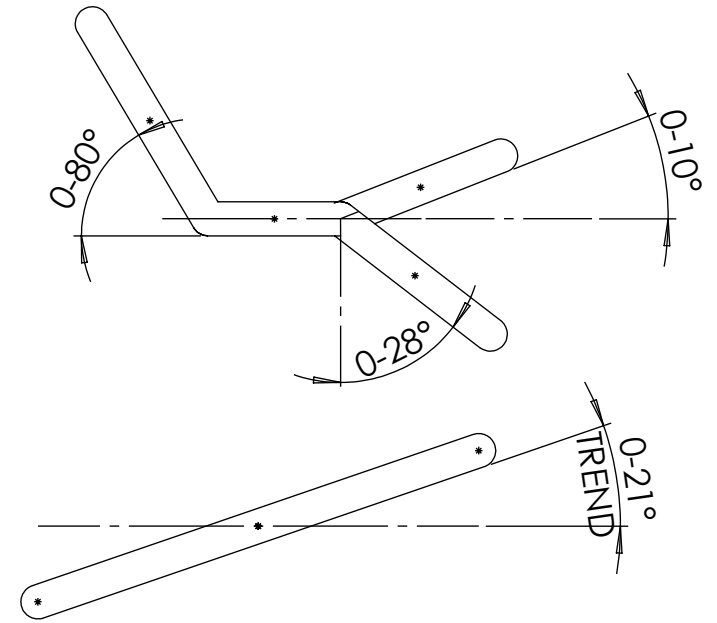
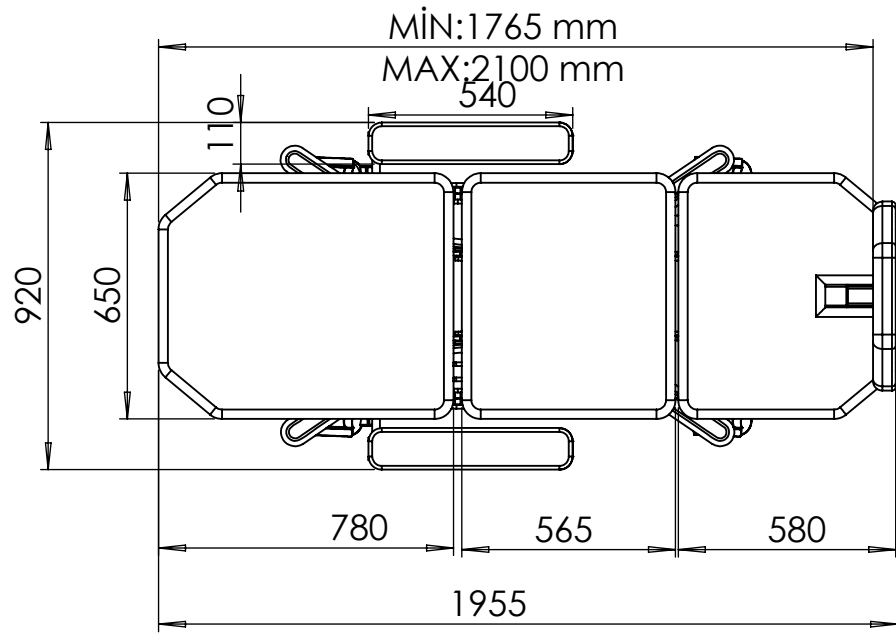
Trendelenburg



High/Low

Safe Working Capacity: 300 KG





MALZEME	EBAT	UZUNLUK	1 TAKIM ADET	OPERASYON 1	OPERASYON 2	OPERASYON 3
---------	------	---------	--------------	-------------	-------------	-------------

RAL KODU

TÜM ÖLÇÜLER MM DİR.S.LAZER VE P.LAZER
DATALARI DXF/DWG STEP203/İGES FORMATINDADIR
RESİMLER KONTROL AMAÇLIDIR"

Resimdeki şüphe
halinde AR-GE birimi
ile iletişime geçiniz



Tolerans çizimde belirtilmiştir
verilmediği takdirde 0,2 mm dir
keskin köşelerden pah kırılacaktır



Çizen :

Onay :

PARÇA TANIMI:
ANA FİRMA KODU:

TİME ETÜD VERİSİ

PARÇA NO

Çizim Tarihi